

:::: BURLODGE



Alphagen™ Tray Dispenser



Single and Double Column Self Leveling

:::: BURLODGE

ALPHAGEN TRAY DISPENSER

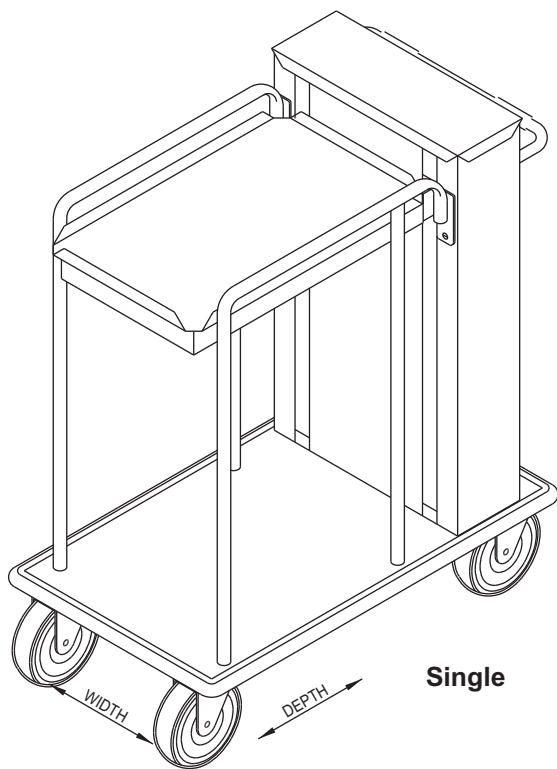
- All Stainless Steel 304 # 4
- Single or Double Stack
- Tray Guides
- Cantilever Design
- Self Leveling & Field Adjustable

OPTIONAL EQUIPMENT

- S/S engraved nameplate
- Sealed casters for cart wash

SPECIFICATIONS

- Stainless steel, type 304, #4 finish on all exterior surfaces.
- Heli-arc and spot welded construction.
- Channel reinforced extended base for rigidity and stability.
- Dispensing system in a steel upright uni-frame enclosure.
- Cantilever dispensing system consists of an all welded "uni-head" assembly with 4 precision roller bearings running on 2 vertical guide shafts controlled by extension springs.
- Projected design platform with all flanges turned up.
- Platform sized for Alphagen™ trays 13" x 21" (330 x 533 mm).
- Stainless steel tubular guide rails on both sides of each platform to prevent trays from falling off.
- Wrap-around perimeter bumper.
- Extended style push handle on rear.
- 5" (125 mm) all swivel, heavy duty, non-marking casters two c/w brakes.



Single



Double

Double dispensing mechanism allows each stack of trays to raise and lower independently of the other

MODEL	TRAY SIZE	OVERALL WIDTH	OVERALL DEPTH	OVERALL HEIGHT	SHIPPING WEIGHT	TRAY CAPACITY
	Inch mm	Inch mm	Inch mm	Inch mm	Lbs kg	
SINGLE ATT.13.21.1	13" x 21" 330 x 533	19" 483	32 - 1/2" 826	37 - 1/2" 953	140 64	75
DOUBLE ATT.13.21.2	13" x 21" 330 x 533	35 - 1/2" 902	32 - 1/2" 826	37 - 1/2" 953	220 100	150

Overall sizes include wrap-around bumper and extended push handle on rear

:::: BURLODGE™

BURLODGE CANADA LTD

10, EDVAC DRIVE
BRAMPTON
ONTARIO L6S 5P2
CANADA
TEL. 905 790.1881
TOLL FREE: 1 888 609.5552
FAX 905 790.1883
E-mail: info@burlodgeca.com
www.burlodgecanada.com

BURLODGE CANADA LTEE

5995 boul. GOUIN OUEST
BUREAU B-305
MONTRÉAL, QUÉBEC H4J 2P8
CANADA
TEL. 514 339.5552
TOLL FREE: 1 888 609.5552
FAX. 514 339.2555
E-mail: infoquebec@burlodgeca.com
www.burlodgecanada.com

BURLODGE USA Inc.

P.O. BOX 4088
3760 INDUSTRIAL DRIVE
WINSTON - SALEM
NORTH CAROLINA 27115 - USA
TEL. 336 776 1010
TOLL FREE: 1 877-RETHERM
FAX 336 776 1090
E-mail: info@burlodgeusa.com
www.burlodgeusa.com

ASSOCIATED COMPANIES

BURLODGE GREAT BRITAIN
BURLODGE ITALY
BURLODGE FRANCE
BURLODGE HOLLAND
BURLODGE BELGIUM

