

# Multigen & Minigen

## Dual Oven Technology Bulk Hostess Cart

- Stand-by Mode
- User ID Recognition
- HACCP Monitoring System
- Integrated Transport System ITS



**burledge**  
TOGETHER, WE WORK.

## The Multigen 105 Series has been designed as a multi-portion point of service cart, for Cook-Serve, Cook-Chill and Cook-Freeze service applications.

Heating is by forced air convection using Burlodge's revolutionary dual oven technology, which, when used for rethermalization, allows the heating of products with different densities and textures to be achieved over the same time ensuring optimal food quality and temperatures. In addition, the dual oven compartment can be varied in size to meet different meal configurations.

### The Multigen Series

The **Minigen I** is a single compartment cart with a 7 G/N capacity dual oven chamber.

The **Minigen II** is a two compartment cart consisting of a 4 G/N capacity oven chamber and a 2 G/N capacity ambient section.

The **Multigen II** is a two compartment cart consisting of a 7 G/N capacity dual oven chamber and a 8 G/N capacity ambient section.

The **Multigen III** is a two compartment cart consisting of two 7 G/N capacity oven chambers.

All the models have the option of refrigeration for the oven and/or ambient sections.

### Unique Features

- Dual oven technology which substantially improves food quality, temperature and presentation
- Reduced energy consumption
- Reduced heat output
- LCD electronic controls with HACCP and/or online monitoring system
- BCardWise (smart card user access ID)
- Automatic steam evacuation system
- Cleaning cycle
- Optional gantry with heating and lighting system for enhanced food presentation and greater temperature retention
- Optional gantry with LCD controls, heated or cold lights, guard rail and 360° degree visibility
- Air curtain system when oven door is open
- Food probe temperature linked to menu selection
- Boost-Cycle





MINIGEN II



BWiseCard



ITS



MINIGEN I



## Control Panel

The Multigen 105 LCD user friendly electronic controls incorporate the latest HACCP and smart card technology including:

- ON/OFF touch pad
- Three heating cycles touch pads
- Multifunction touch pad (food probing, clock setting, cleaning cycle, heated top and lights touch pad)
- LCD display showing cycle in progress, count down timer, hot, cold and hot top temperatures
- Audible alarm to indicate cycle completion
- Error code display
- HACCP monitoring system
- BCardWise, smart card reader and ID user recognition
- Sleep mode, cycle start timer with automatic daylight saving time changes
- Food temperature recording linked to menu selection

## HACCP Controls

The Minigen & Multigen LCD control panel is fitted with a HACCP monitoring system. It includes an event menu, displaying logged times and temperatures. With the BCardWise+ up to 32 trolleys' event lists can be downloaded in conjunction with the BWISE software. This PC based software provides a full historical audit trail which can be easily stored and managed.

## Online Monitoring

BNetWise+, a central real time monitoring system, allows access to all trolleys and provides full control of cycle start and stop, event logging, programming, cart cycle status, etc. Networks for monitoring carts can be created using LAN or WiFi connection.

## Integrated Transport System "ITS"

The ITS allows food to be loaded in the picking and packing area. Items can then be transferred in a temperature controlled condition to a designated service point. The ITS is docked onto the Multigen and the racks are then easily inserted into the oven/fridge. The automatic cycle start activates the rethermalization cycle at the preprogrammed time. The auto-start timer ensures that the meal is rethermalized on time, every time. This operation can be done well in advance of the meal service with products held under safe refrigerated conditions. The ITS offers enhanced quality control and reduces manual handling from initial meal assembly to the end of the rethermalization cycle.

## Accessories

- Tray rail including cutlery cut-out.
- Condiment container and plate holder.
- Side shelf with optional waste bag holder.
- Food probe.
- Tow bar (4 castor configuration only).
- Front fascia panel.
- Removable rack GN 1/1 grids for easy cleaning.
- ITS Dolly with insulated cover.
- Insulated enclosed Dolly.

## Options

- Single phase.
- 3 phase inlet flange or cable.
- Lockable door handles.
- 4 or 6 castor configuration.
- Central brake.
- Gantry with heated lights or display lights only.
- Guard rail.
- Oven and/or ambient section refrigeration.

# Multigen & Minigen

Contemporary style  
and functional operation.

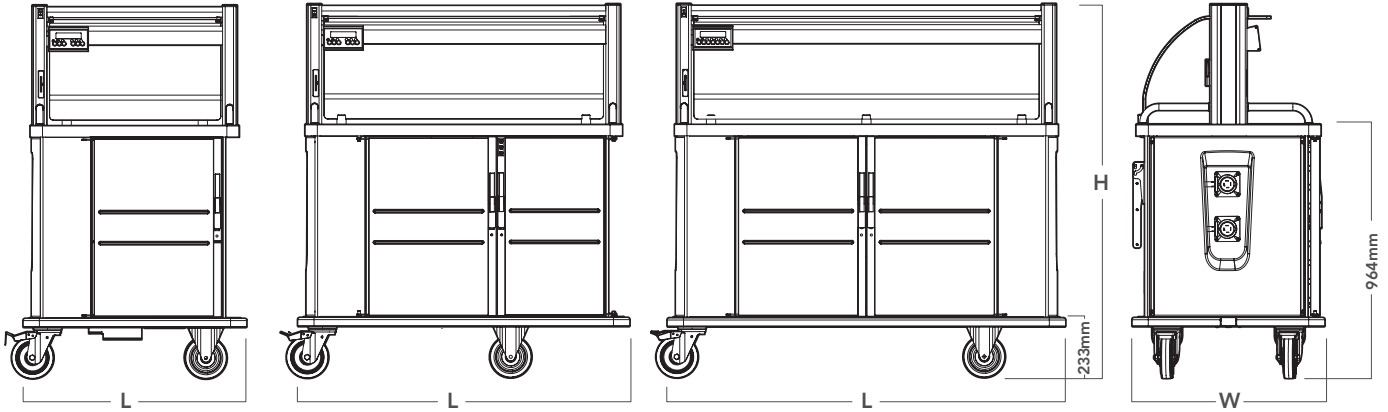
Quality meal service  
for your clients.



## Minigen I & II

## Multigen II

## Multigen III



### Minigen I

Code	Description	Electrical Specification		Service Only		Dimensions		
		Consumption		Heated Top - Lights - Refriger.		H	L	W
		Amps	Max. kW	Amps	kW	mm/inch	mm/inch	mm/inch
BLM50.700	Dual oven section - Three Phase - 208V - 60Hz	16	5,8	10,3	1,1	1420 / 55,91	848 / 33,39	731 / 28,78

### Minigen II

Code	Description	Electrical Specification		Service Only		Dimensions		
		Consumption		Heated Top - Lights - Refriger.		H	L	W
		Amps	Max. kW	Amps	kW	mm/inch	mm/inch	mm/inch
BLM51.700	Oven section and ambient/refrigeration section - Three Phase - 208V - 60Hz	8	2,8	10,3	1,1	1420 / 55,91	848 / 33,39	731 / 28,78

### Multigen II

Code	Description	Electrical Specification		Service Only		Dimensions		
		Consumption		Heated Top - Lights - Refriger.		H	L	W
		Amps	Max. kW	Amps	kW	mm/inch	mm/inch	mm/inch
BLM52.700	Oven section and ambient/refrigeration section - Three Phase - 208V - 60Hz	16	5,5	14,5	1,6	1420 / 55,91	1260 / 49,61	731 / 28,78

### Multigen III

Code	Description	Electrical Specification		Service Only		Dimensions		
		Consumption		Heated Top - Lights - Refriger.		H	L	W
		Amps	Max. kW	Amps	kW	mm/inch	mm/inch	mm/inch
BLM53.700	Two oven/refrigeration sections - Three Phase - 208V - 60Hz	2 x 16	2 x 5,5	14,5	1,6	1420 / 55,91	1508 / 59,37	731 / 28,78

### ITS Integrated Transport System

Code	Description	Dimensions		
		H	L	W
BLM21.006	ITS Dolly	1019 / 40,12	932 / 36,69	668 / 26,30

**UNITED KINGDOM**  
 Burlodge Ltd  
 C60 Barwell Business Park  
 Leatherhead Road  
 Chessington, Surrey KT9 2NY  
 United Kingdom  
[www.burlodge.co.uk](http://www.burlodge.co.uk)

**ITALY & EXPORT**  
 Burlodge Srl  
 Via Ca' Bertocina, 43  
 24068 Seriate, Bergamo  
 Italy  
[www.burlodge.it](http://www.burlodge.it)

**CANADA**  
 Burlodge Canada Ltd  
 10, Edvac Drive  
 Brampton, Ontario L6S 5P2  
 Canada  
[www.burlodgeca.com](http://www.burlodgeca.com)

**USA**  
 Burlodge USA Inc.  
 P.O. Box 4088, 3760 Industrial Dr.  
 Winston Salem 27115 - 4088  
 North Carolina  
 USA  
[www.burlodgeusa.com](http://www.burlodgeusa.com)

**FRANCE**  
 Burlodge SAS  
 ZAC Léonard de Vinci  
 16 Avenue Graham Bell  
 77600 Bussy Saint Georges  
 France  
[www.burlodge.fr](http://www.burlodge.fr)

an Ali Group Company



The Spirit of Excellence



NSF / ANSI 169

MANUFACTURER RESERVES THE RIGHT TO CHANGE MATERIAL & SPECIFICATIONS WITHOUT NOTICE